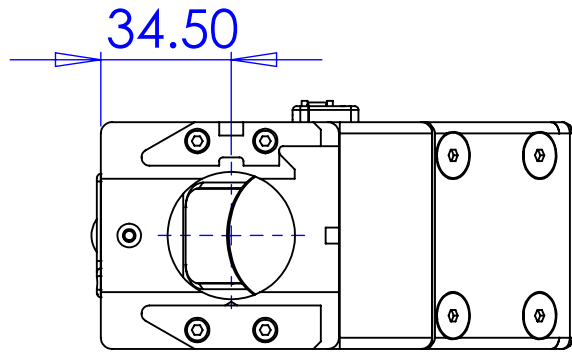
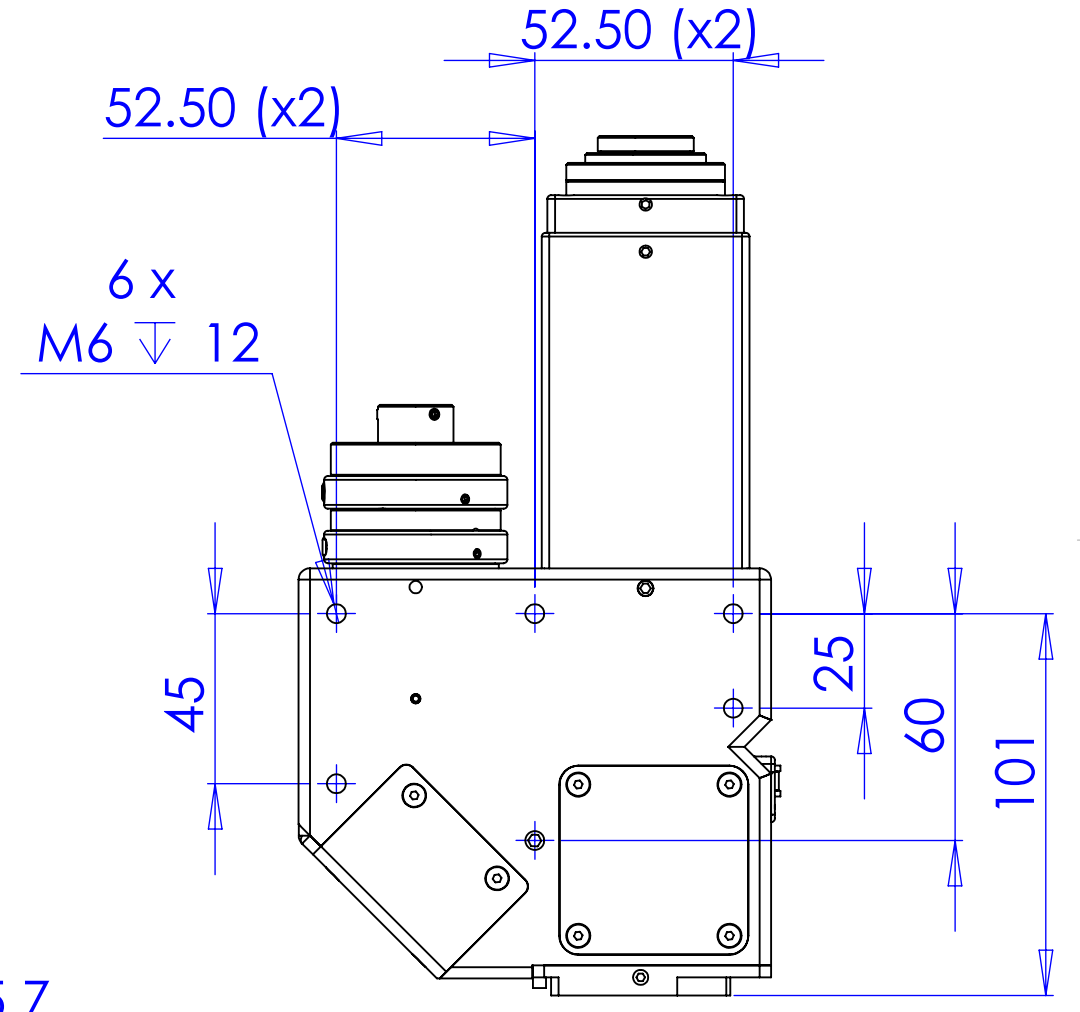
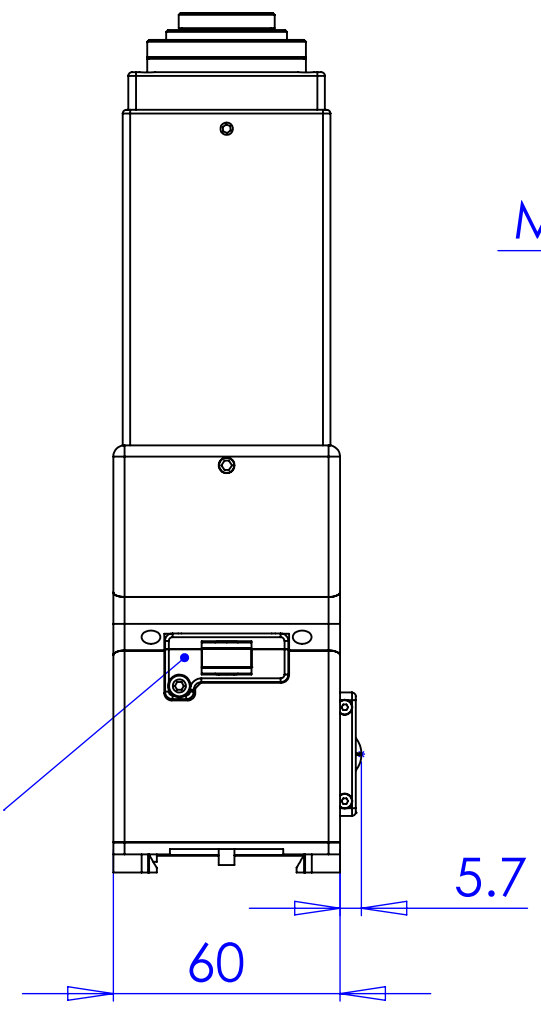
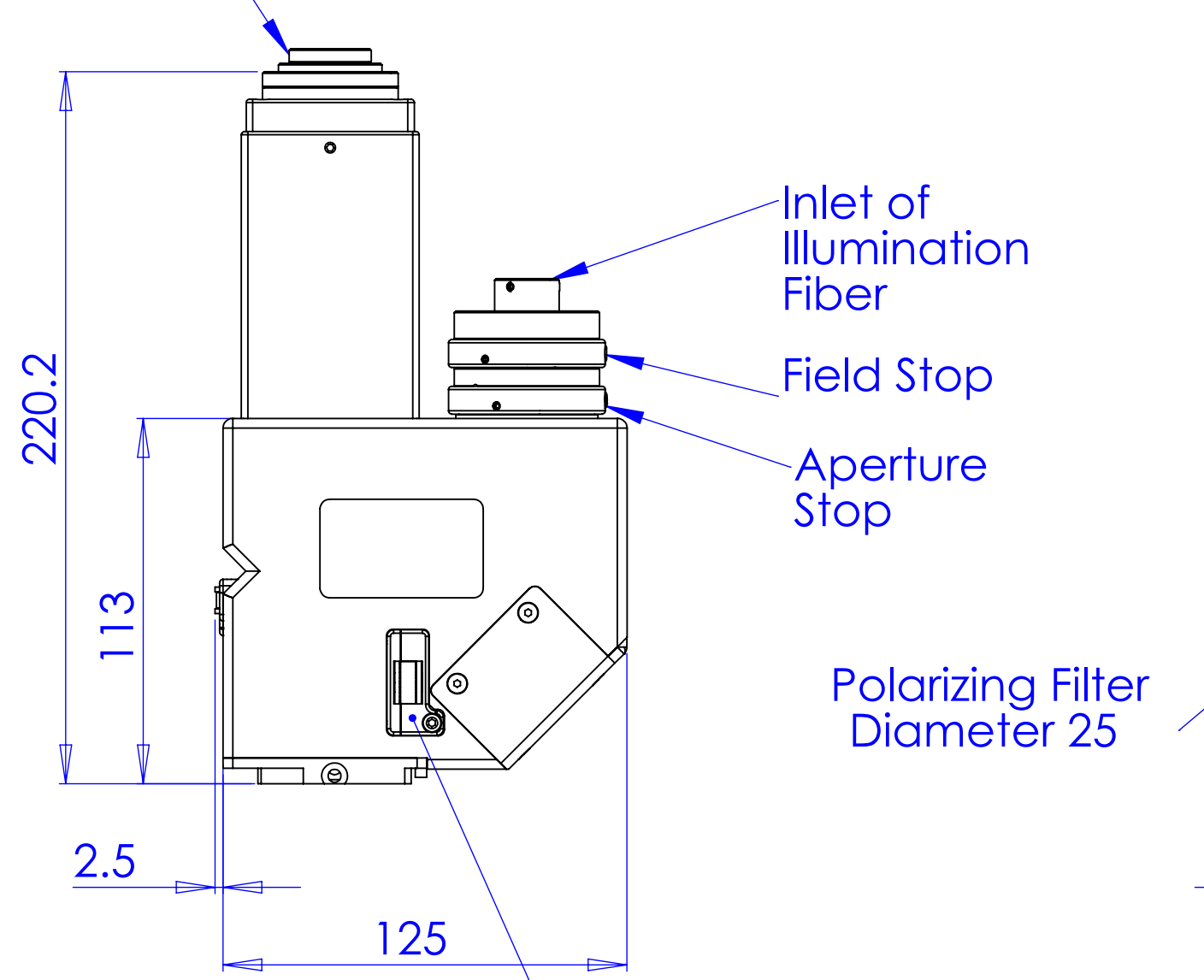


| 6 | | | 7 | | 8 | |
|-----|------|----------|------|----------|------|--|
| ECO | REV. | COMMENTS | ZONE | APPROVED | DATE | |
| - | - | - | | - | - | |
| - | - | - | | - | - | |
| - | - | - | | - | - | |
| - | - | - | | - | - | |



C Mount



Polarizing Filter Diameter 25

TOLERANCES:
UNLESS OTHERWISE SPECIFIED:
LINEAR: +/-0.1
ANGULAR: +/-10'
SURFACE FINISH: N7



This document contains proprietary information of Omek Optics Ltd. and may not be reproduced, copied, disclosed or utilized in any way, in whole or in part, without the prior written consent of Omek Optics Ltd

| | NAME | DATE | SIGN. | DRAWING No. | REV. | DWG.SIZE: |
|--------|------|------|-------|--------------------|------|--------------|
| DESIGN | | | | Mic 301PL | A | A3 |
| DRAW | | | | DESCRIPTION: | | SCALE: |
| CHECK | - | - | | MATERIAL: | | DO NOT SCALE |
| APPR. | - | - | | DIMENSIONS in [mm] | | SHEET 1 OF 1 |

