

OMEK 300 Series

Versatile OEM Microscope



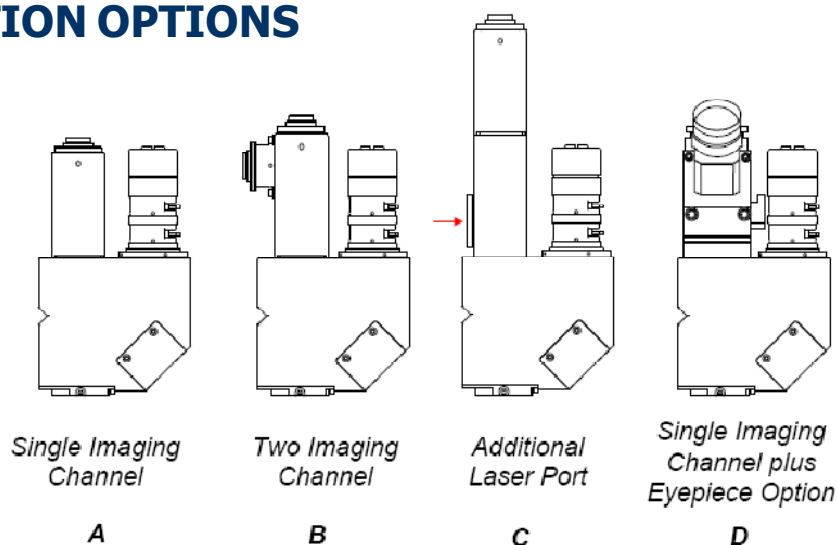
The Series 300 is a Large Format Modular Industrial Microscope used for either stand alone applications or as an OEM unit integrated into larger inspection machines

FEATURES



- Compact lightweight housing.
- Magnifications between X2 to X100.
- Standard Tube-Lens supports Large Format Detectors (Up to 16MM Detector Diagonal)
- Modular Mechanical Design allows mounting of Optics (Objectives) from Major Vendors (Such as Leica, Zeiss, Olympus and others).
- Illumination system custom aligned for any Objective employed.
- Standard Light source: Fiber coupled to Halogen Lamp.
- Uniform and Symmetric Illumination at Objective Exit Pupil to obtain full Kohler Type Telecentric Light .
- Iris Diaphragms to control Field Stop and Aperture Stop diameters.

CONFIGURATION OPTIONS



10 Genosar St.; Givat Ella 36570; Israel
 Tel + (972) 4 6514560; Fax + 972 4 6514289

web: www.omekoptics.com
 email: info@omekoptics.com

OMEK 300 Series

Versatile OEM Microscope



OPTIONS

- Option to attach Objective revolver (Currently Olympus Turrets). Other turrets may also be attached.
- Option to split Imaging arm to two Imaging Devices. 2nd Beam Splitter is located above Tube Lens.
- Option to obtain different magnifications at each imaging arm.
- Option to align digital Sensor position in 4 degrees of freedom (X, Y, Z & Rotation).
- Option to alternate between CCD channel to Eyepiece.
- Option to attach Polarizer/Analyzer pair using patented internal mechanism.
- Illumination Fold mirror equipped with two Tilt Degrees of Freedom, for fine alignment of the illumination beam.

Eyepiece Option / Manual Turret



SPECIFICATIONS

	Specification	Note
Standard Camera Mount	C- Mount	<i>Eyepiece Option Available</i>
Weight	3.2 Kg	<i>Not Including Turret</i>
Standard Tube Lens Focal Length	160 mm	<i>Custom Designs Upon Request</i>
Applicable Sensor Active Diameter	16MM or Smaller	<i>Larger Formats Upon Request</i>
Illumination	Telecentric (Kohler)	<i>Adaptable</i>

10 Genosar St.; Givat Ella 36570; Israel
Tel + (972) 4 6514560; Fax + 972 4 6514289

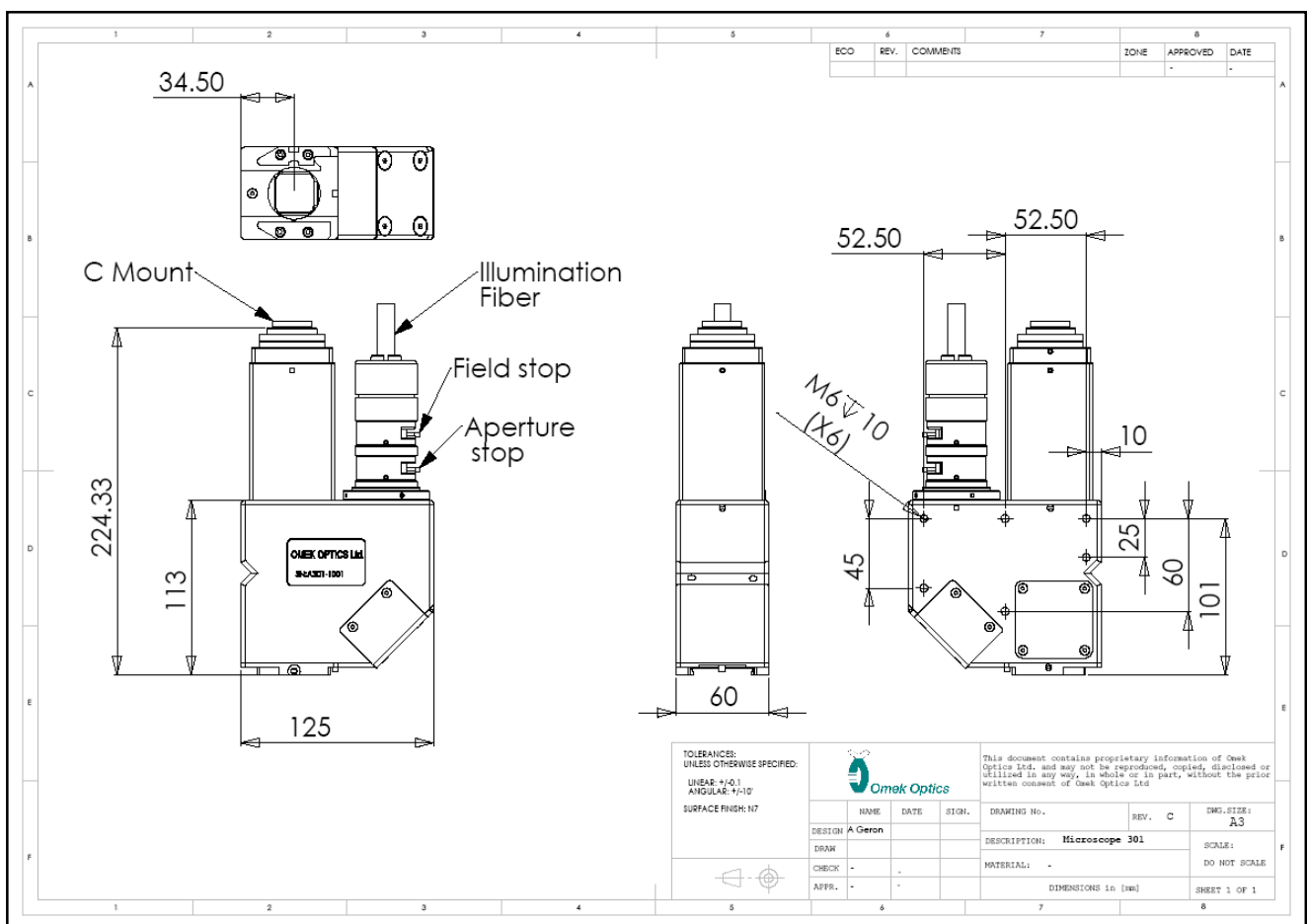
web: www.omekoptics.com
email: info@omekoptics.com

OMEK 300 Series

Versatile OEM Microscope



Layout and Dimensions: Mic301.160; 0.8x Magnification ; 160mm Tubelens



10 Genosar St.; Givat Ella 36570; Israel
Tel + (972) 4 6514560; Fax + 972 4 6514289

web: www.omekoptics.com
email: info@omekoptics.com

Specifications are subject to change without any obligation on the part of the manufacturer

N1601923A