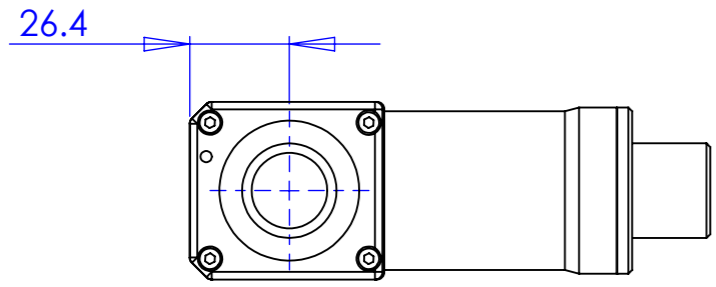
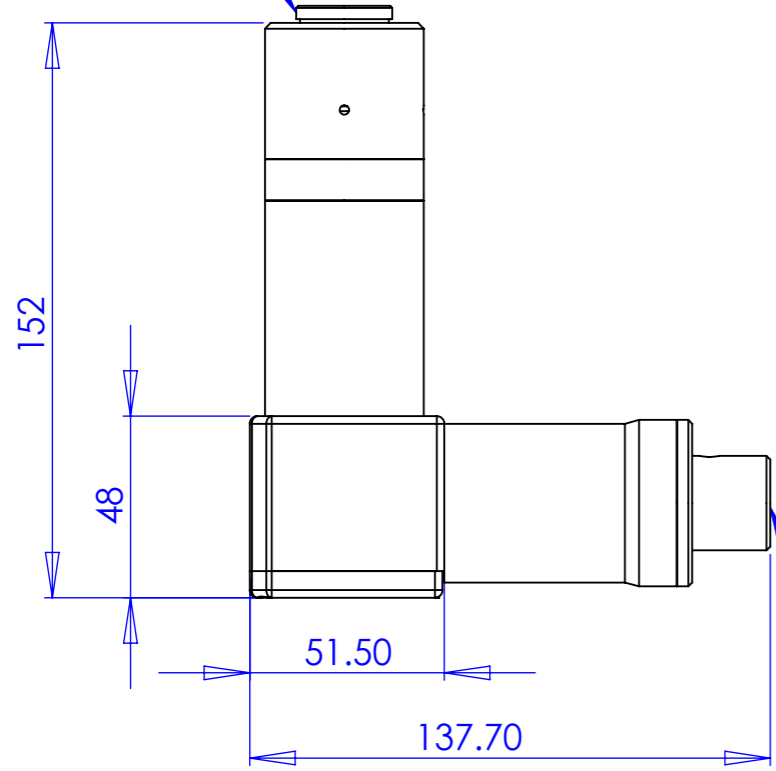


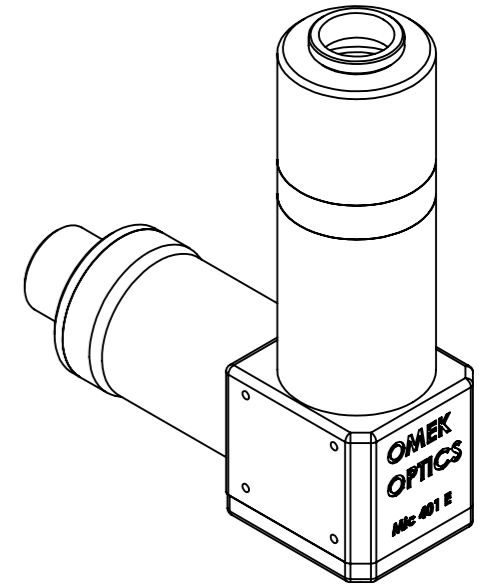
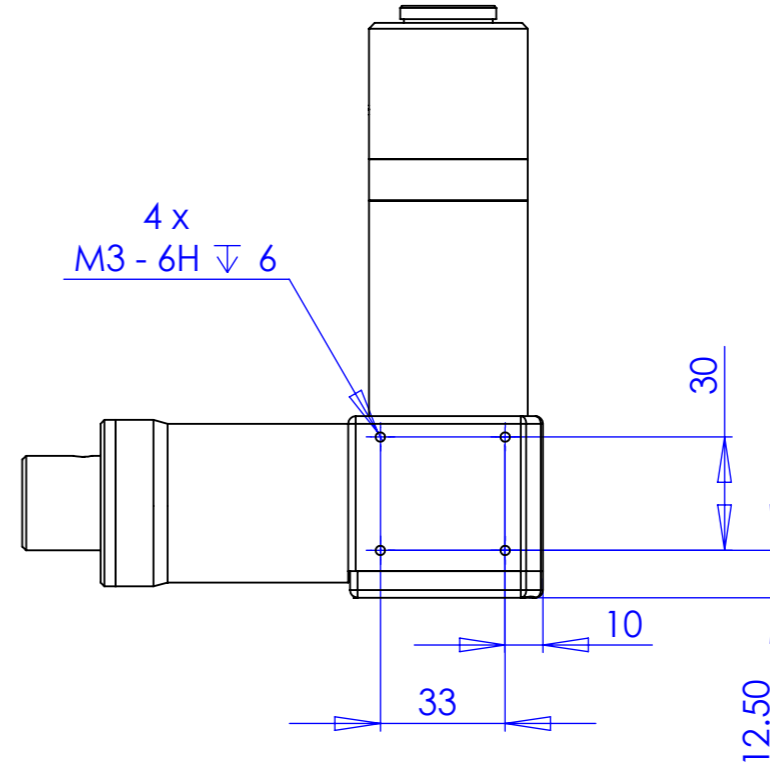
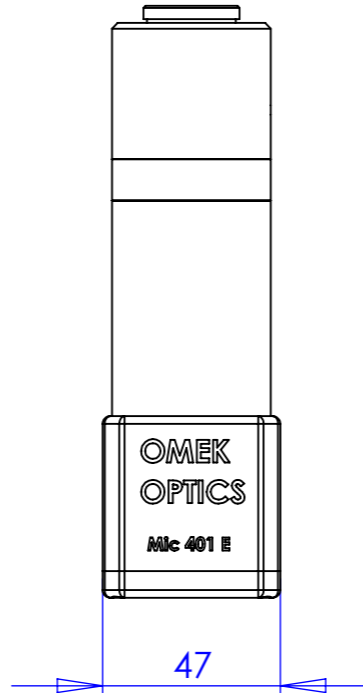
ECO	REV.	COMMENTS	ZONE	APPROVED	DATE
-	-	-	-	-	-
-	-	-	-	-	-
-	-	-	-	-	-
-	-	-	-	-	-



C Mount



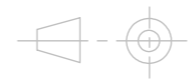
Inlet of Illumination Fiber



TOLERANCES:
UNLESS OTHERWISE SPECIFIED:

LINEAR: +/-0.1
ANGULAR: +/-10'

SURFACE FINISH: N7



This document contains proprietary information of Omek Optics Ltd. and may not be reproduced, copied, disclosed or utilized in any way, in whole or in part, without the prior written consent of Omek Optics Ltd

	NAME	DATE	SIGN.	DRAWING No.	REV.	DWG.SIZE:
DESIGN				Mic401E.80.F	A	A3
DRAW				DESCRIPTION:		SCALE:
CHECK	-	-		MATERIAL:		DO NOT SCALE
APPR.	-	-		DIMENSIONS in [mm]		SHEET 1 OF 1