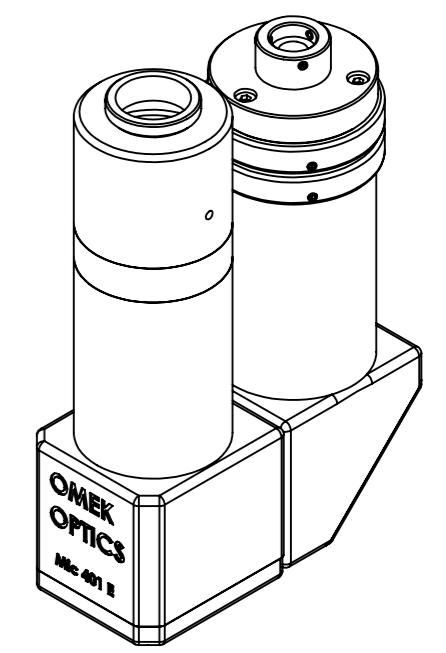
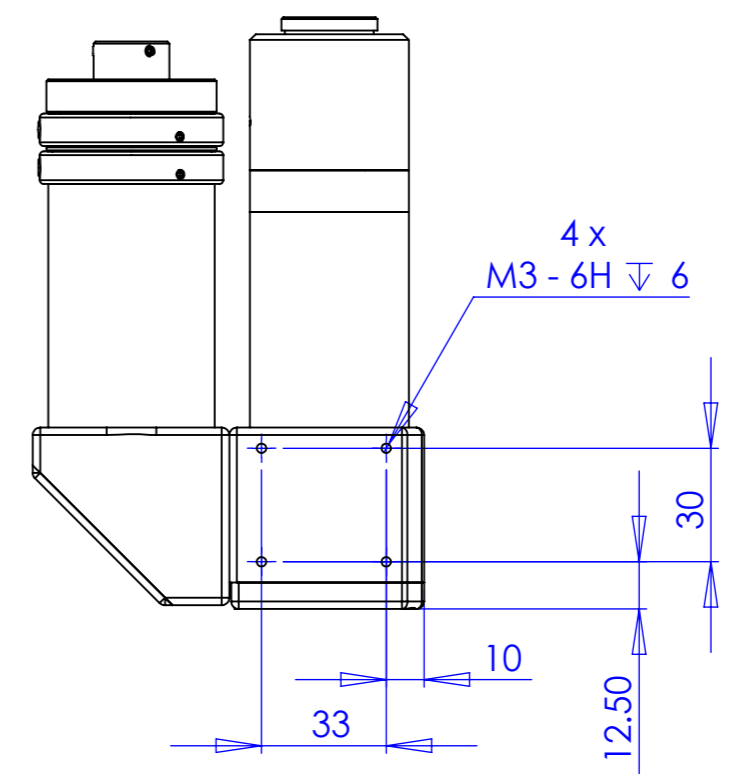
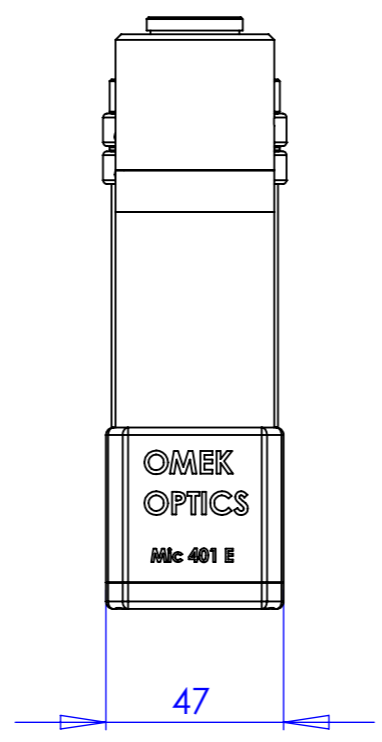
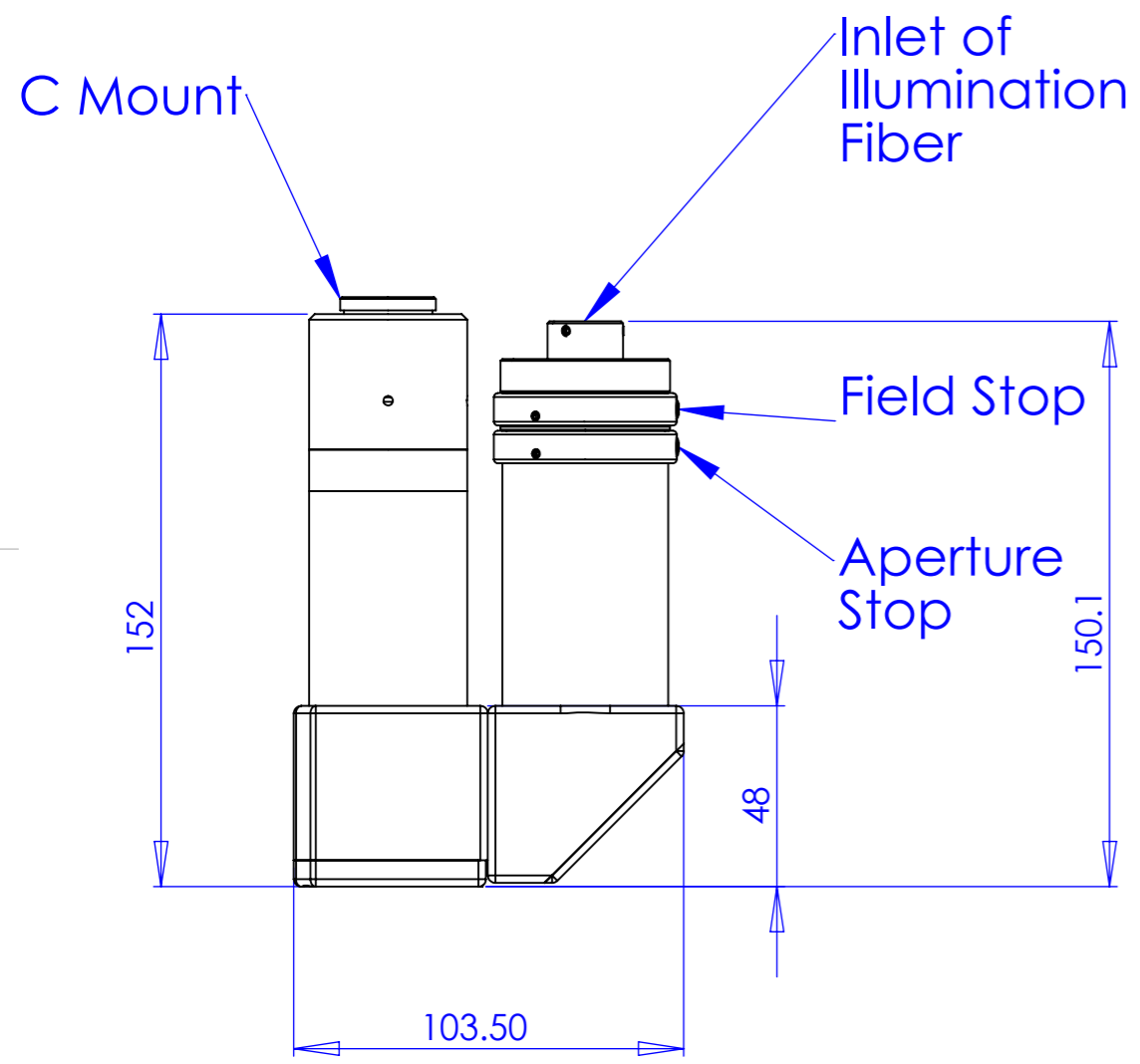
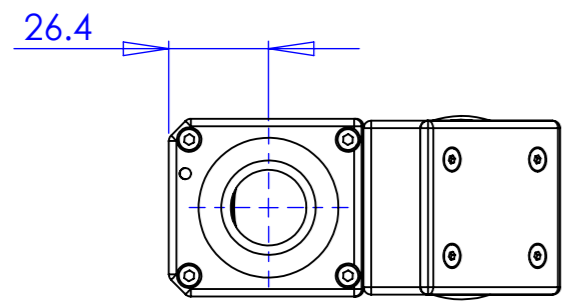


| 6   |      |          | 7    |          | 8    |  |
|-----|------|----------|------|----------|------|--|
| ECO | REV. | COMMENTS | ZONE | APPROVED | DATE |  |
| -   | -    | -        |      | -        | -    |  |
| -   | -    | -        |      | -        | -    |  |
| -   | -    | -        |      | -        | -    |  |
| -   | -    | -        |      | -        | -    |  |



TOLERANCES:  
UNLESS OTHERWISE SPECIFIED:  
  
LINEAR:  $\pm 0.1$   
ANGULAR:  $\pm 10'$   
  
SURFACE FINISH: N7



This document contains proprietary information of Omek Optics Ltd. and may not be reproduced, copied, disclosed or utilized in any way, in whole or in part, without the prior written consent of Omek Optics Ltd

|        | NAME | DATE | SIGN. | DRAWING No.          | REV.     | DWG. SIZE:   |
|--------|------|------|-------|----------------------|----------|--------------|
| DESIGN |      |      |       | <b>MIC401ET.80.F</b> | <b>A</b> | <b>A3</b>    |
| DRAW   |      |      |       | DESCRIPTION:         |          | SCALE:       |
| CHECK  | -    | -    |       | MATERIAL:            |          | DO NOT SCALE |
| APPR.  | -    | -    |       | DIMENSIONS in [mm]   |          | SHEET 1 OF 1 |

